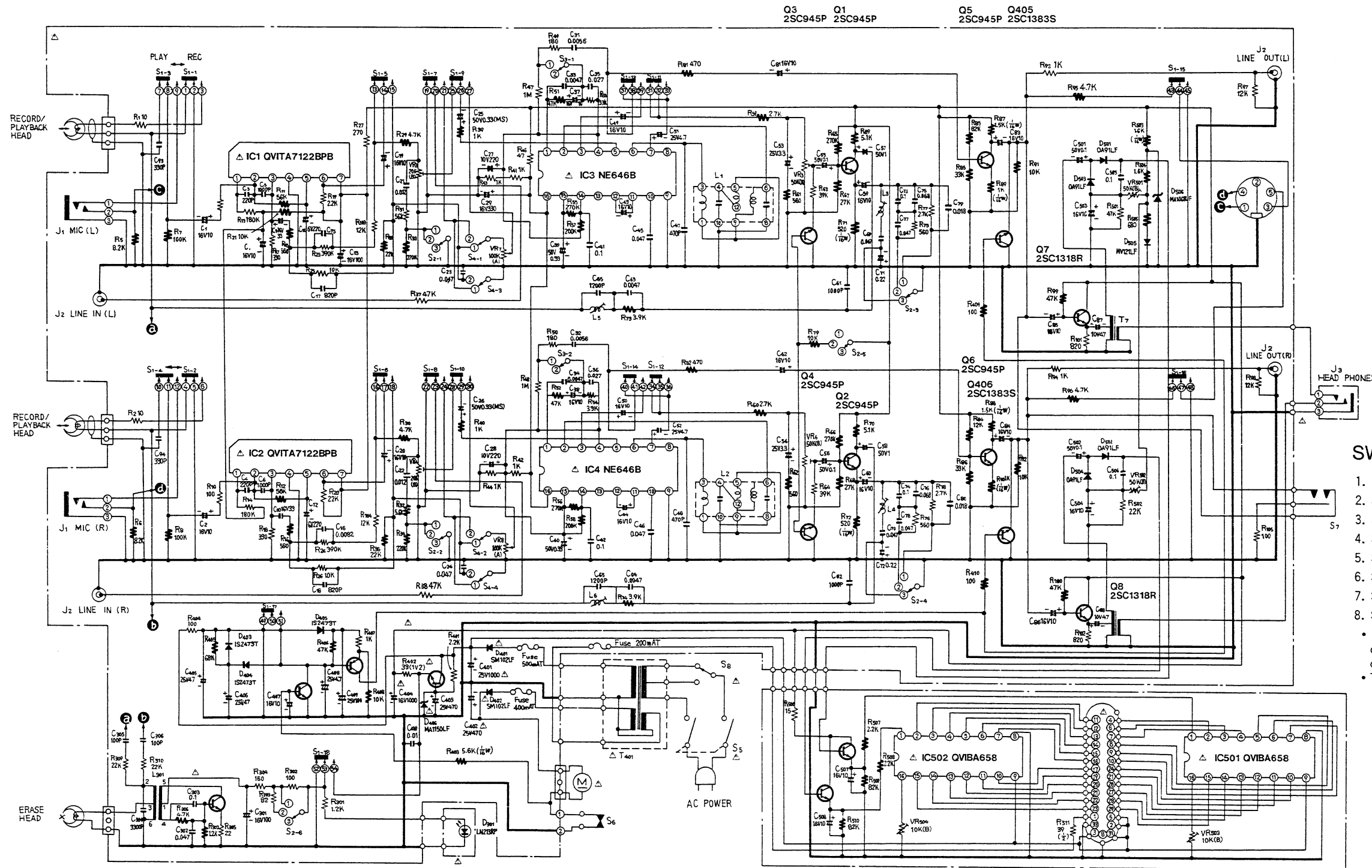


Technics TAPE DECK MODEL RS-M17 SCHEMATIC DIAGRAM

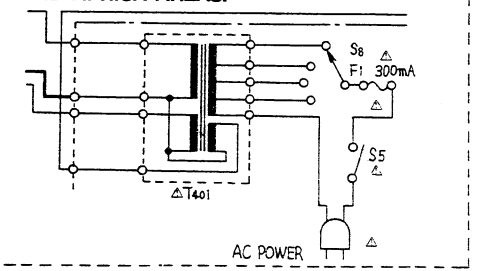


SWITCHES

1. S₁₋₁~S₁₋₁₈ RECORD SW PLAYBACK
 2. S₂₋₁~S₂₋₆ EQUALIZER BIAS SELECT SW
 3. S₃₋₁~S₃₋₂ DOLBY SW
 4. S₄₋₁~S₄₋₄ IN PUT SELECT
 5. S₅ POWER SW
 6. S₆ MOTER MUTING SW
 7. S₇ CUE REVIEW MUTING SW
 8. S₈ VOLTAGE SELECT SW
- Δ indicates that only parts specified manufacturer be used for replacement in critical circuits.
 • This schematic diagram is subject to change.

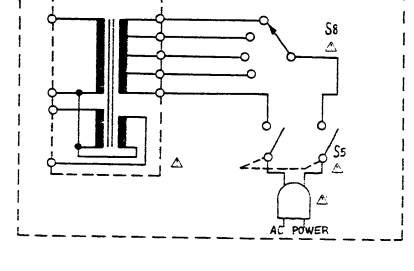
Q301 2SC1318R Q402 2SC1684R Q403 2SA564R Q401 2SC1846S

FOR ASIA, LATIN AMERICA, MIDDLE EAST AND AFRICA AREAS.



Q502 2SC1684R Q501 2SC1684R

FOR UNITED KINGDOM.



FOR AUSTRALIA.

